

Bus Alternating Warning Light Flasher Circuit

Product Information

InPower Model: VCM-08 Dual 15 Amp Alternating Lamp Flasher

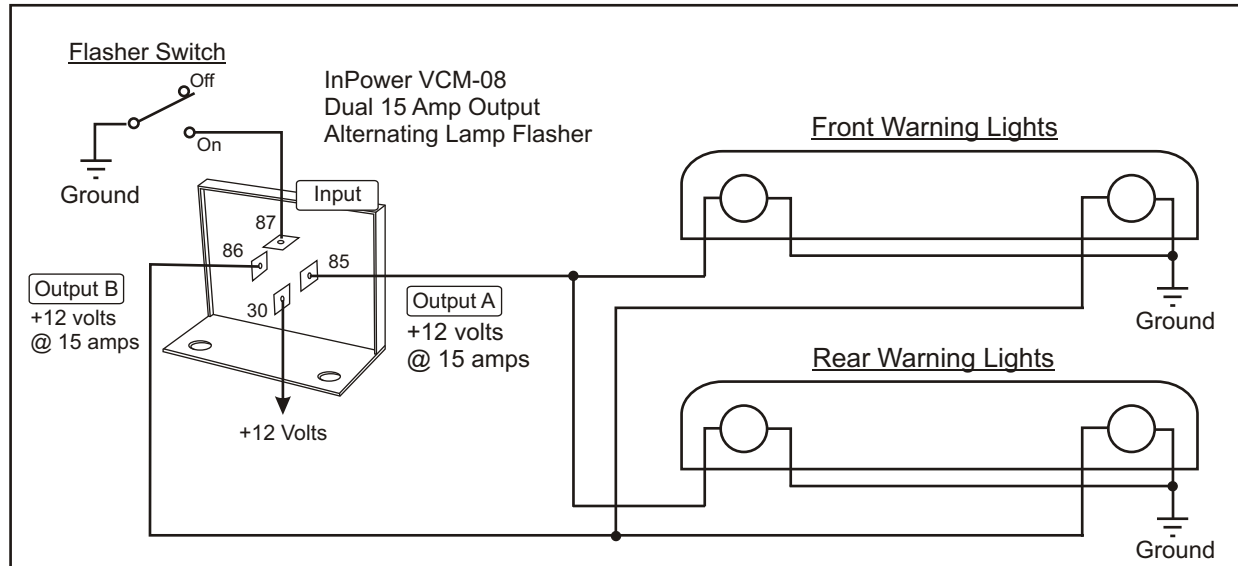
Description: The VCS-08 flasher is a completely solid state dual output alternating warning lamp flasher. Its outputs are rated at +12 volts @ 15 amps each, and are designed to operate high in-rush current halogen and incandescent lamps, as well as LED lights. When a ground is applied to the input, the outputs will alternately flash at a rate of 75 cycles per minute at a 50% duty cycle. The solid state outputs are a unique design that will automatically shut off if an over current or short circuit fault occurs. If a fault shut down occurs on one output the other output will remain operational.

Documentation: Product Data Sheet PDS-62

Operation

1. Flasher Switch to On position.
2. Output A and Output B alternately flash at a rate of 75 flashes per minute.

Application Wiring Diagram



Timing Diagram

