

### Remote Controlled Compartment Light Circuit

Latching circuit toggles vehicle compartment lights on and off from multiple remote switches.

#### **Product Information**

InPower Model: VCM-01 Alternating Latching Solid State Relay, 12 volt

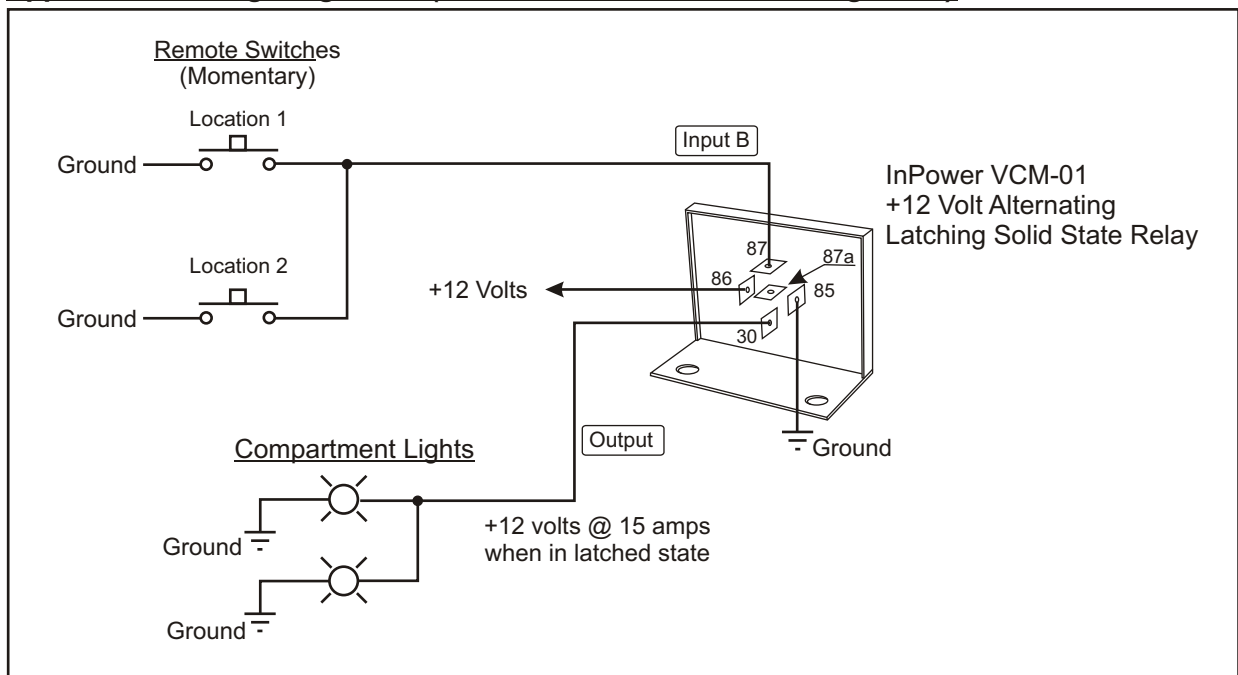
Description: The VCM-01 module contains two inputs, one actuated by a transition to +12 volts and one actuated by a transition to ground. The module's output will toggle to the opposite state when +12 volts is applied to Input A while Input B is open, or when ground is applied to Input B while Input A is open. The module's output is +12 volts @ 15 amps when in the latched state. Upon power up the output is in the unlatched state.

Documentation: Product Data Sheet PDS-58

#### **Operation**

Operating a remote switch the first time will cause the VCM-01 module to set its output to the latched state (output terminal 30 at +12 volts). When set the output will power the compartment lights. Operating a remote switch a second time will reset the VCM-01 module's output to the unlatched state (no power on terminal 30). When powering up (applying +12 volts on terminal 86) the VCM-01 module will be in the unlatched state (no power on terminal 30).

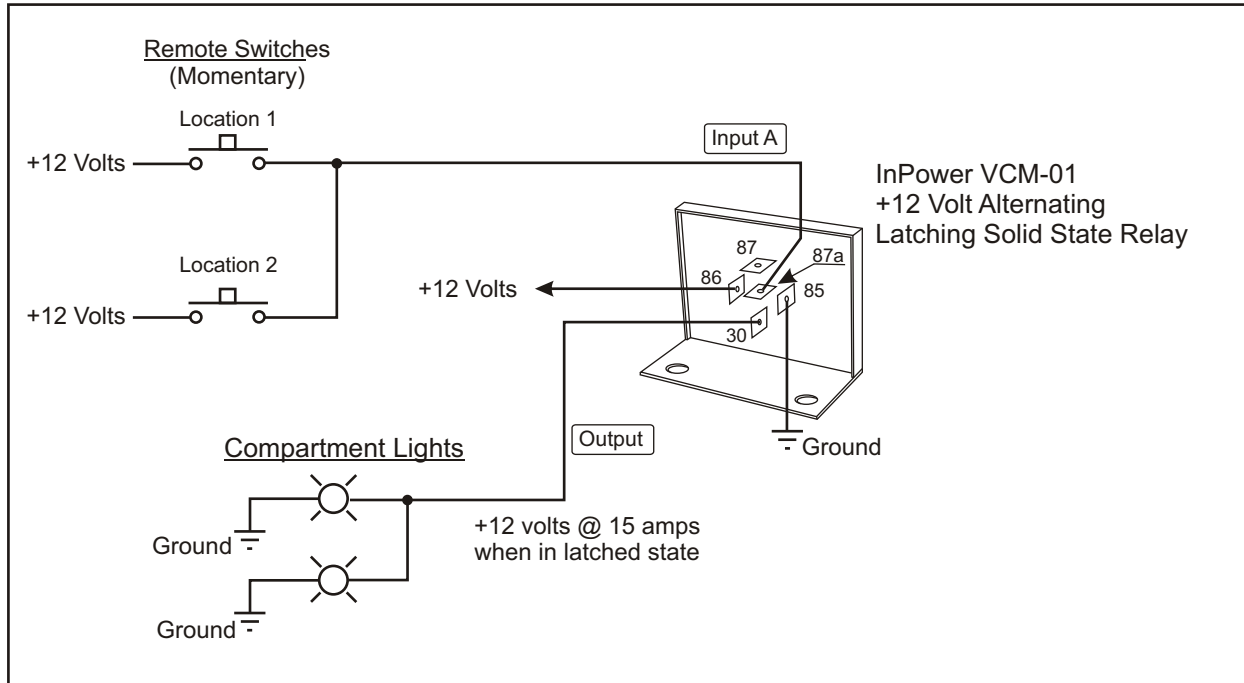
#### **Application Wiring Diagram 1 (Remote switch connected to ground)**



# VCM Series

## Application Bulletin

**Application Wiring Diagram 2 (Remote switches connected to +12 volts)**



**Application Wiring Diagram 3 (Two remote switches, connected to +12 volts and ground)**

